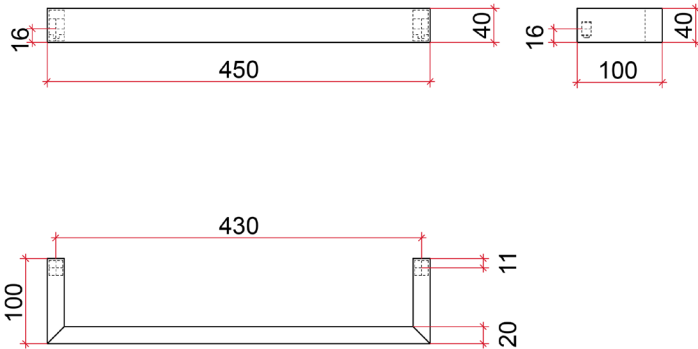


**Thermorail 12V Horizontal Towel Rail**  
Electric Heated Towel Rails for use in bathrooms



Note: All dimensions are in millimeters (mm)

Rails are sold individually.

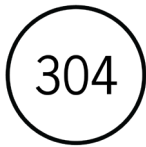
Stock Code	Finish	Size (mm)	Output (W)	No. of Bars
DSS4	Polished Stainless Steel	W450 x H40 x D100	17	1



**Ten year warranty**



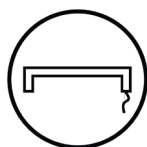
**Safe for use in bathrooms**



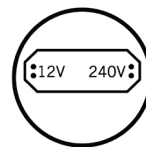
**Quality stainless steel**



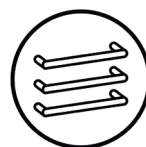
**Safe for use in wet areas**



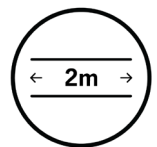
**Right hand concealed wiring**



**Transformer included**  
(12 month warranty)



**Recommended to be installed in a set of 3+**



**2m lead on rail**

**PLEASE NOTE:** Specifications are for information purposes only. Whilst every effort has been made to ensure the product specifications are accurate, due to continuing product development and improvement the specifications are subject to change. Specifications can be used to rough in and fit timber supports in the wall however we recommend no holes are drilled without having the product on site or verifying the details with the manufacturer. Thermogroup cannot be held liable or responsible for errors due to updated specifications.