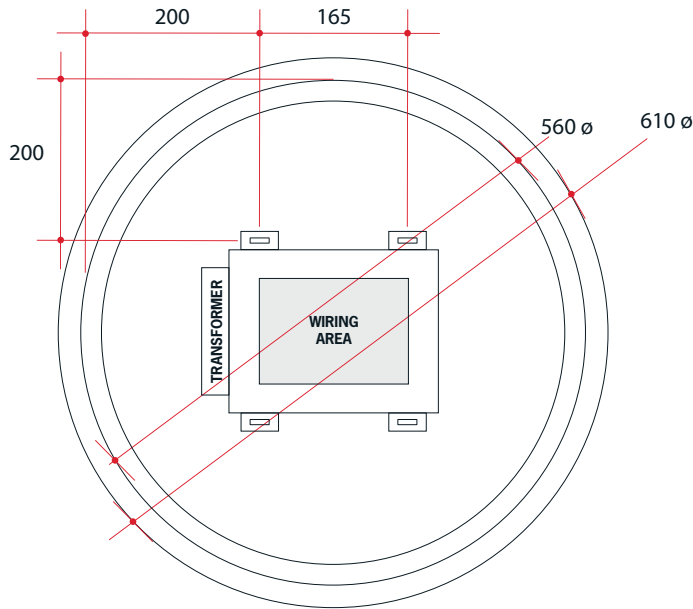


Ablaze Premium Back-lit Mirror



Note: All dimensions are in millimetres (mm)

The thickness of the mirror is 5mm, the space between the back of the mirror and the wall due to the wiring is 40mm making total depth 45mm.

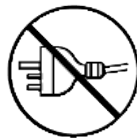
Stock Code	Light	Size (mm)	Output (W)
RB610C	Cool	610ø x 45	18



Cool LED lighting



No ON/OFF switch on unit



Concealed wiring only



Three years warranty



No demister included

PLEASE NOTE: Mirrors will need to be installed in accordance with the Installation Guide. Ablaze does not take responsibility for incorrect installation of these mirrors. Specifications are for information purposes only. Whilst every effort has been made to ensure the product specifications are accurate, due to continuing product development and improvement, the specifications are subject to change. Specifications can be used to rough in and for timber supports in the wall however, we recommend no holes are drilled without having the product on site or verifying the details with the manufacturer. Thermogroup cannot be held liable or responsible for errors due to updated specifications.