

Thermorail Ladder Rail

240Volt Heated Towel Rail

Installation Guide

Contents

What's in the box? 3

Concealed Wiring Installation 4

Technical Specifications 5

Safety & Care Information 5

Warranty Information 6

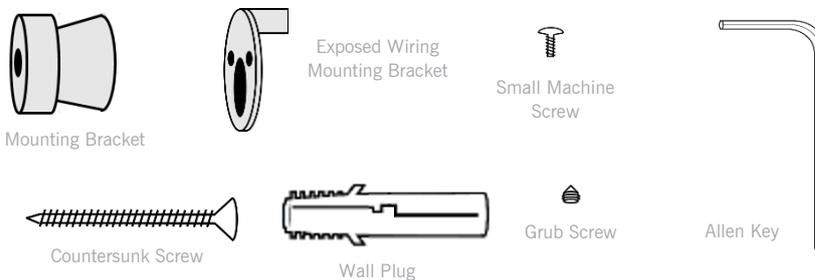
Warranty Registration 7

Contact Us 8

What's in the box?

Check you've got everything:

- Thermorail Ladder Rail
- 2 x Wiring Mounting Bracket
- 2 x Mounting Brackets
- 4 x Wall Plugs
- 4 x Countersunk Screws
- 2 x Small Machine Screw
- 2 x Grub Screws (Supplied on rail)
- 1 x Allen Key

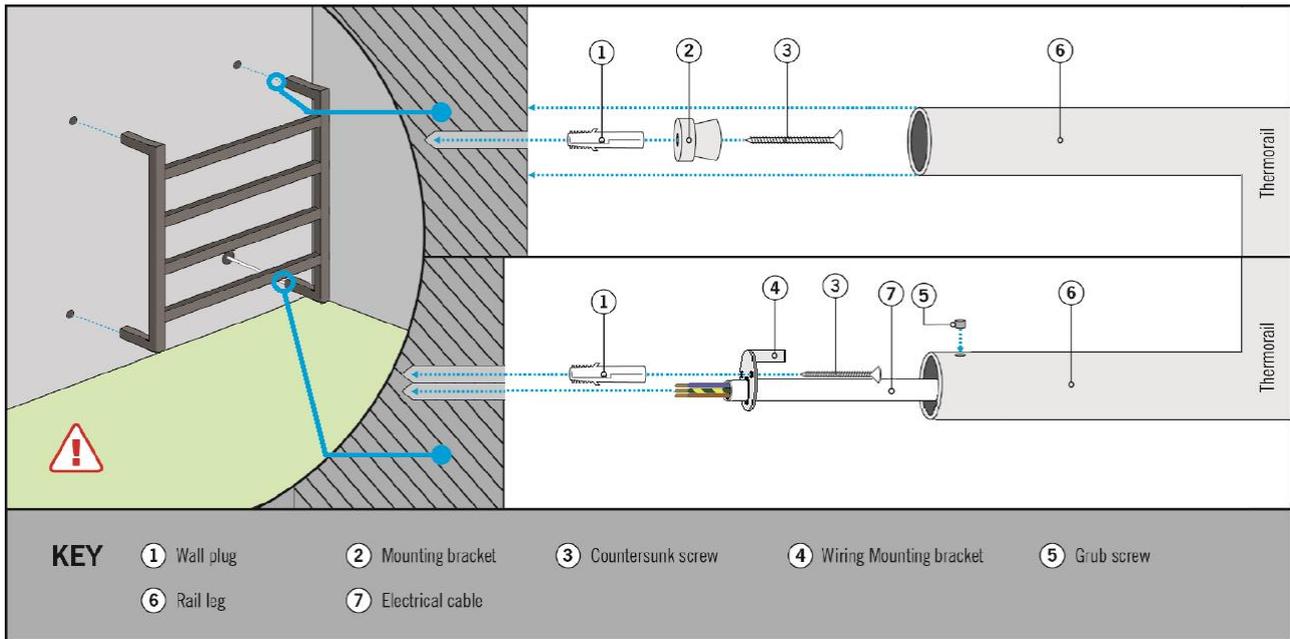


Please note these parts are not to scale

You will also need:

- Cross Head Screwdriver
- Pencil
- Spirit Level
- Tape Measure
- Drill Bits (6mm & 8mm)
- Cordless Drill
- Electrical Supply

Concealed Wiring Installation



The Thermorail models in this guide can only be installed with concealed wiring (Hardwired), with the electrical connection on either the right or left hand side.

1. Plan and Measure Your Installation

First decide which side you want to connect the electrical supply to and cut short and terminate the cable on the opposite side. Measure and mark out the four wall bracket positions making sure they are level. The easiest way to mark this is to put some masking tape or similar at the location of the four mounting positions and then hold the rail against the wall and once it is straight and level mark the four leg footprints on the tape. For safety reasons, we recommend that the heated towel rail is installed at least 600mm above the floor.

2. Install the Wall Brackets

Drill a 6mm hole in the centre of the two marked mounting positions on the opposite end of the towel rail to the wiring and insert the wall plugs provided. Fix the two mounting brackets in the two non-wiring positions using the countersunk screws and a cross head screwdriver. In the third position (where the cable is cut short and terminated) fix one of the wiring brackets in place. In the fourth position (wiring point) drill a larger hole (8mm) for the electrical cable and fix the wiring mounting bracket in place.

3. Connect to Main Supply

Ensure the mains power supply is switched off before attempting to carry out any electrical work. Insert the cable through the centre hole at the wiring position and connect to the mains supply in accordance with current electrical regulations.

Test A: Ensure you have 240Volt power at the connection point between the Thermorail Heated Towel Rail and the mains supply. Once checked tick this on page 7.

4. Fix Thermorail to the Wall

Fit the Thermorail to the mounting brackets installed on the wall. You may need assistance to hold the rail in place. Tighten using the screws provided.

Technical Specifications, Safety & Care Information

CODE	NO. OF BARS	SIZE (MM)	OUTPUT WATTAGE	IP RATING
RSL24C	8	W500 x H800 x D110	75	IP55
RSL79C	10	W780 x H1250 x D110	142	IP55
Supply Voltage	240V 50Hz			
Wiring Side	Left or Right			
Wiring Method	Concealed (Hardwired) Only			
Warranty	10yrs			

Safety Information

Thermorail Heated Towel Rails should be installed and tested by a qualified electrician and in accordance with current local regulations. We recommend that the rail is installed onto a flat uniform wall at least 600mm from the floor and with 300mm clearance from permanent fixtures. Where possible the Thermorail Heated Towel Rail should be screwed into studs or if fixing to hollow walls suitable anchors should be used to ensure rail is secure.

Please read and understand this installation guide in full before commencing installation. If you have any queries in regards to installation, please call 1300 368 631.

- Observe and adhere to electrical guidelines and IP ratings when placing your Thermorail in wet areas
- Ensure any timers or switches used are installed in correct zones according to the IP rating of the timer/switch
- Ensure that your Thermorail is protected by a suitably rated RCD circuit
- Do not use the towel rail to hold towels or other articles that have been in contact with oil, petroleum based products or dry cleaning fluids
- This appliance is intended to warm and dry towels and therefore is hot to touch so when near young children or infirm persons, close supervision is necessary.
- Do not immerse your Thermorail in any liquid

Care Information

The Stainless Steel finish of your Thermorail Heated Towel Rail is hard wearing and easy to maintain. However any harsh scrubbing, scratching or acid based cleaning products will damage the surface of your towel rail. Cleaning with a soft cloth and a non-abrasive cleaning agent will give the best results.

Warranty Information

Thermogroup covers all its products with a satisfaction guarantee. In addition, Thermogroup will supply a replacement product where a fault is shown to be caused by manufacture, materials or workmanship providing the goods have been installed correctly and according to installation instructions. This guarantee does not include removal, freight or installation costs. Thermogroup's products come with guarantees that cannot be excluded under Australian Consumer Law and you are entitled to a replacement or refund for a major failure & compensation for any other reasonable foreseeable loss or damage. You are also entitled to have the goods repaired or replaced if the goods fail to be of acceptable quality and the failure does not amount to a major failure.

All of the Thermorail Heated Towel Rails – Fixed Leg Range have a 10 year warranty. To use the warranty, repair or service the customer must provide purchase invoice/receipt, and completed warranty registration form.

If the product develops a fault within the warranty period due to normal wear and tear, Thermogroup at its discretion will recognise whether it's a faulty product or not. If it is impossible or not economical for the manufacturer to repair the product, the manufacturer will replace the faulty product with a new unit of the same model or if there is no stock available of the same model as the product, the manufacturer will replace the product with a new unit of a similar size. No responsibility can be taken for altered dimensions and lining up of existing holes.

The repair service offered within the warranty period only covers the faults and problems as developed from the manufacturer's errors. Any damage caused by improper use or carelessness or incorrect wiring is not covered.

Thermogroup is not responsible for any monetary loss or injuries caused by improper use of this product.

Warranty Registration

The Thermorail Heated Towel Rail warranty against manufactures defects is a limited liability warranty and will only apply if the product is registered online. Online registration must be completed within 60days of installation. Failure to complete this form will void the warranty.

	THERMORAIL STOCK NO.	ISOLATING SWITCH/ TIMER INSTALLED	TIMER STOCK NO.	TEST A <small>240Volt Power at Connection See Page 4</small>
0	RSL24C (Example)	Timer Isolating Switch / None	TRTS	✓
1		Timer / Isolating Switch / None		
2		Timer / Isolating Switch / None		
3		Timer / Isolating Switch / None		
4		Timer / Isolating Switch / None		
5		Timer / Isolating Switch / None		
6		Timer / Isolating Switch / None		
7		Timer / Isolating Switch / None		
8		Timer / Isolating Switch / None		
9		Timer / Isolating Switch / None		
10		Timer / Isolating Switch / None		

Fill out and sign below to declare that all the information recorded on this form correlates to the installation

Installer

Name: _____

Email: _____

Address: _____

Postcode: _____

Phone: _____

Signature: _____

Customer

Name: _____

Email: _____

Address: _____

Postcode: _____

Phone: _____

Signature: _____

Contact us

sales@thermogroup.com.au

www.thermogroup.com.au

1300 368 631

Thermogroup



That little bit extra...