

Thermorail Towel Rail

240Volt Ladder Heated Towel Rail

Installation Guide

Please read these instructions carefully and in full before installation.
Installation should be carried out by a qualified electrician.

Contents

What's in the box?	3
Concealed Wiring Installation.....	4
Exposed Wiring Installation.....	6
Technical Specifications	8
Safety & Care Information.....	9
Operating Instructions.....	10
Warranty Information.....	10
Warranty Registration.....	11
Contact Us.....	12

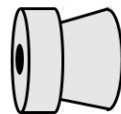
What's in the box?

Check you've got everything:

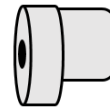
- Thermorail Ladder Rail
- Thermorail Connection Wire
- Leg Kit including:
 - 2 x Non-Wired Legs
 - 1 x Exposed Wired Leg
 - 2 x Concealed Wired Legs
 - 1 x White Concealed Wiring Sleeve
 - 3 x Mounting Brackets (Supplied inside the leg)
 - 1 x Exposed Wiring Mounting Bracket & Screw
 - 4 x Wall Plugs
 - 4 x Countersunk Screws
 - 2 x Machine Screws
 - 4 x Small Machine Screws (Supplied on rail)
 - 4 x Grub Screws (Supplied inside the leg)
 - 1 x Allen Key



Exposed Wired Leg

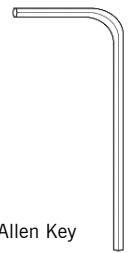


Mounting Bracket



Exposed Wiring Mounting Bracket & Screw

Please note for square profile models this part will be a 'L' shape bracket rather than round



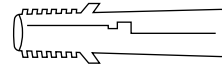
Allen Key



Wired Leg



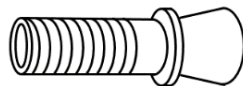
Countersunk Screw



Wall Plug



Non-Wired Leg



White Concealed Wiring Sleeve



Machine Screw



Small Machine Screw



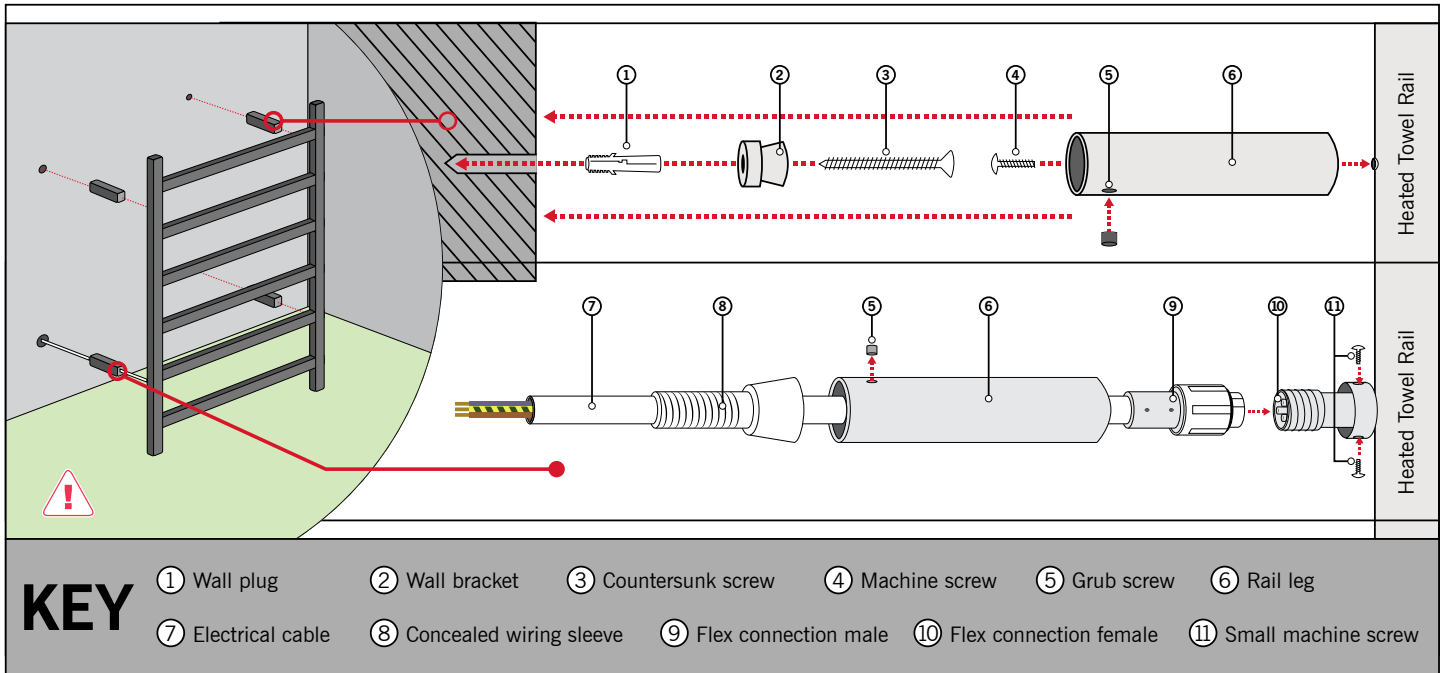
Grub Screw

Please note these parts are not to scale

You will also need:

- Cross Head Screwdriver
- Pencil
- Spirit Level
- Tape Measure
- Drill Bits (6mm & 12mm)
- Cordless Drill
- Electrical Supply

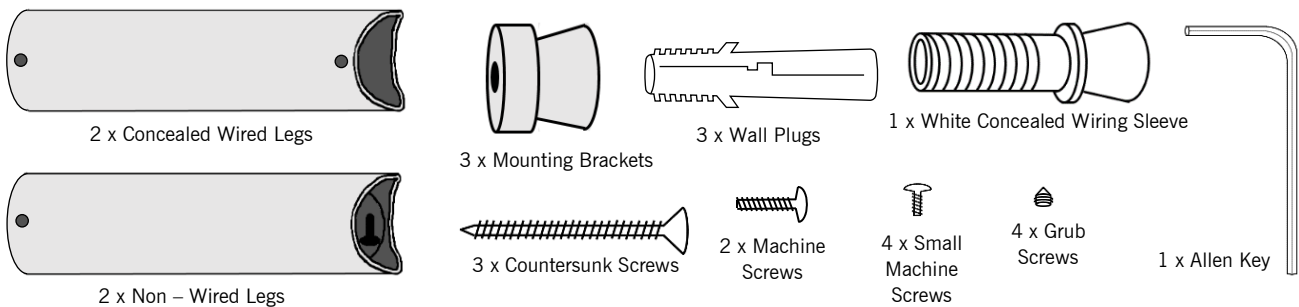
Concealed Wiring Installation



The Thermorail models in this guide can be installed with either concealed or exposed wiring, with the electrical supply connected at the bottom or top, left or right hand mounting point. This section concentrates on the concealed wiring method. For exposed wiring see page 6.

1. Collect the parts you need

Ensure that you have all the correct parts needed for concealed wiring installation of this towel rail. Pictured below are the parts and quantities needed. The remaining parts are only used for exposed wiring installations so can be disposed of.



2. Fix the Legs to the Thermorail

First, decide which side you want to connect the electrical supply to and then allocate the appropriate legs to each of the three remaining mounting points. Remove the mounting brackets from inside the legs by releasing the grub screws with the allen key provided. Attach the two non-wired legs to the rail using the machine screws and a cross head screw driver. Attach the third leg to the non-wired point at the bottom of the rail using two of the small machine screws and a cross head screwdriver.

Concealed Wiring Installation

3. Plan and Measure Your Installation

Measure and mark out the four wall bracket positions making sure they are level. The easiest way to mark this is to put some masking tape or similar at the location of the four mounting positions and then hold the rail against the wall and once it is straight and level mark the four leg footprints on the tape.

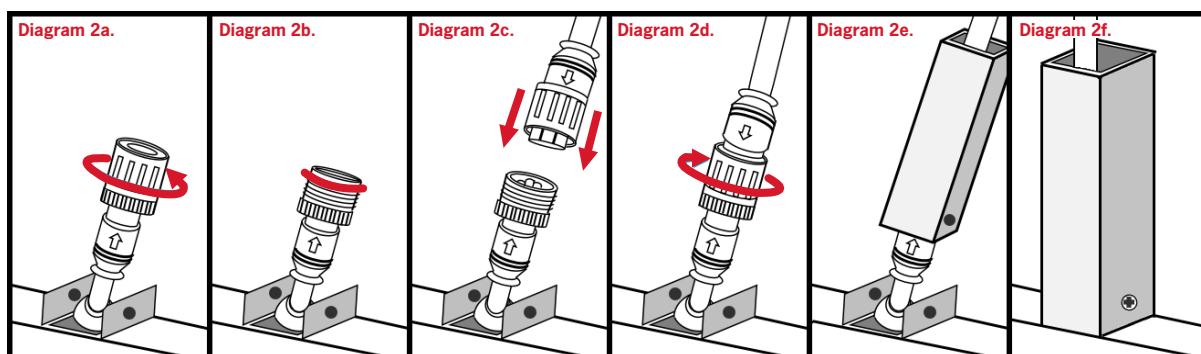
WARNING: In order to avoid a hazard for very young children, this appliance should be installed so that the lowest heated rail is at least 600mm above the floor.

4. Install the Wall Brackets

Drill a pilot hole in the centre of each of the three marked mounting positions and insert the wall plugs provided. Now fix the three wall brackets in place using the countersunk screws and a cross head screwdriver. In the fourth position drill a larger hole (12mm) for the electrical cable.

5. Connect Power Lead & Wall Bracket

Remove the 3 pin plug from the end of the lead. Connect the lead to the rail at your chosen position by unscrewing the screw cap (See Diagram 2a.), pulling out the cap, lifting from the red ring (See Diagram 2b.) inserting the lead into the connection point ensuring that the pins match up correctly using the arrows marked (See Diagram 2c.) and tighten the screw cap (See Diagram 2d.). Slide the concealed wiring leg over the electrical cable (See Diagram 2e.) and fix in place using the small machine screws and a cross head screw driver (See Diagram 2f.).



Ensure your connection is pushed in fully and screw cap is screwed on tightly with the arrows matching up.

6. Connect to Main Supply

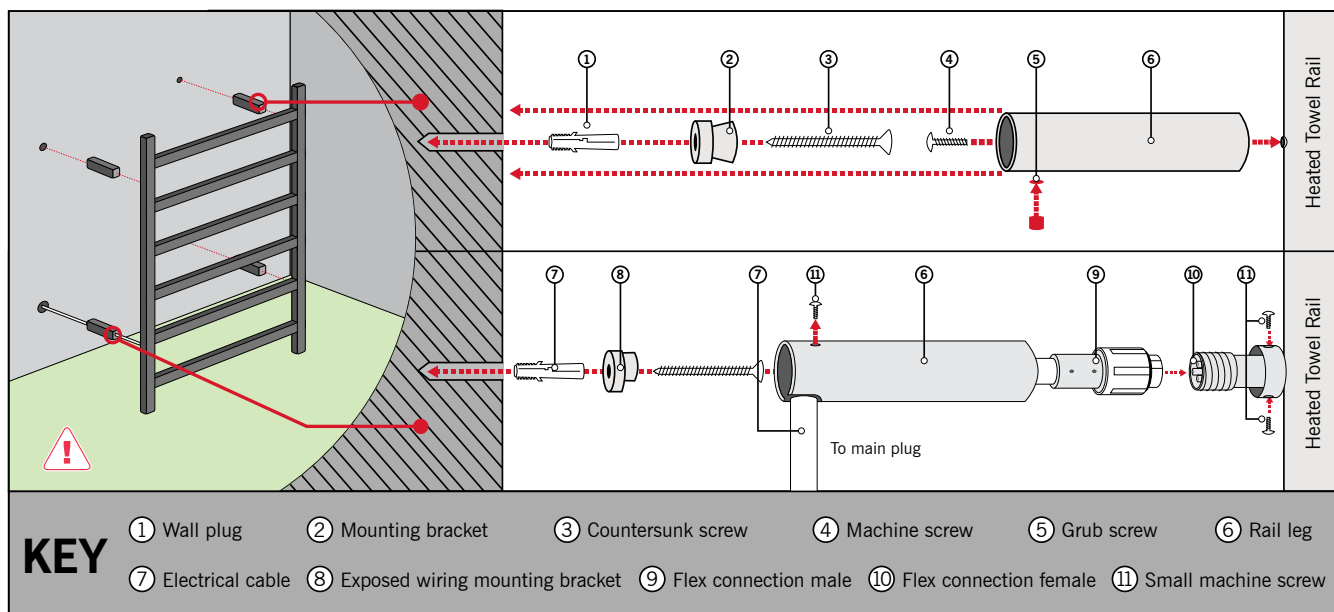
Ensure the mains power supply is switched off before attempting to carry out any electrical work. Slide the concealed wiring sleeve over the exposed end of the mains cable and insert into the hole in the wall. Connect to the mains supply in accordance with current electrical regulations. Means of disconnection must be incorporated in the fixed wiring in accordance with the wiring rules.

Ensure you have 240Volt power at the connection point between your Thermorail Heated Towel Rail and the mains supply.

7. Fix Thermorail to the Wall

Fit the Thermorail to the mounting brackets installed on the wall. You may need assistance to hold the rail in place. Tighten using the grub screws with the allen key provided.

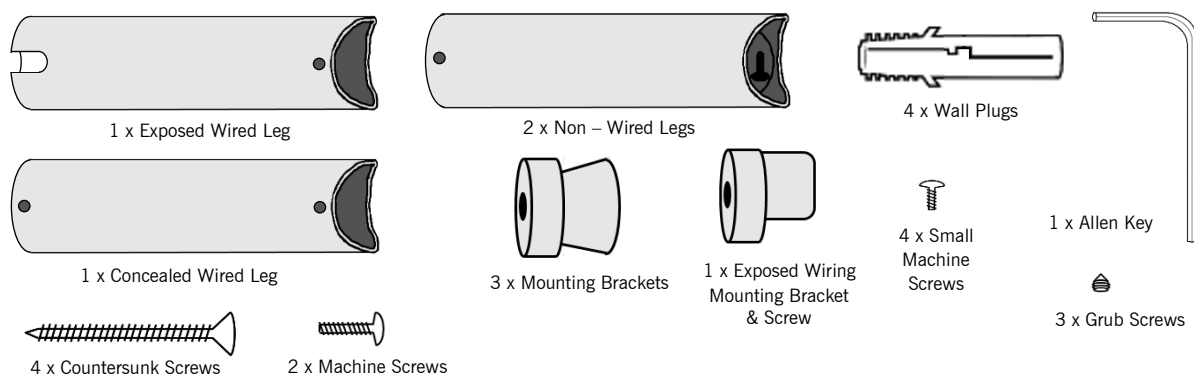
Exposed Wiring Installation



The Thermorail models in this guide can be installed with either concealed or exposed wiring, with the electrical supply connected at the bottom or top, left or right hand mounting point. This section concentrates on the exposed wiring method. For concealed wiring see page 4.

1. Collect the parts you need

Ensure that you have all the correct parts needed for exposed wiring installation of this towel rail. Pictured below are the parts and quantities needed. The remaining parts are only used for concealed wiring installations so can be disposed of.



2. Fix the Legs to the Thermorail

First, decide which side you want to connect the electrical supply to and then allocate the appropriate legs to each of the three remaining mounting points. Remove the mounting brackets from inside the legs by releasing the grub screws with the allen key provided. Attach the two non-wired legs to the rail using the machine screws and a cross head screw driver. Attach the third leg to the non-wired point at the bottom of the rail using the small machine screws provided.

Exposed Wiring Installation

3. Plan and Measure Your Installation

Measure and mark out the four wall bracket positions making sure they are level. The easiest way to mark this is to put some masking tape or similar at the location of the four mounting positions and then hold the rail against the wall and once it is straight and level mark the four leg footprints on the tape.

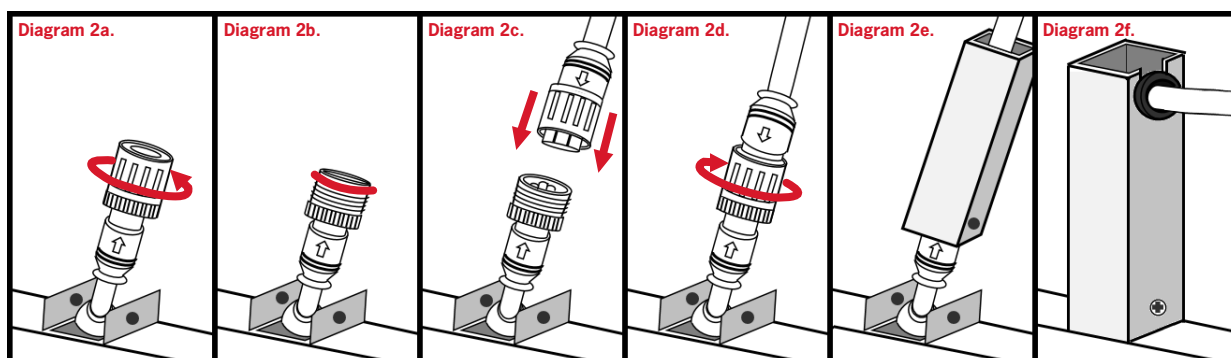
WARNING: In order to avoid a hazard for very young children, this appliance should be installed so that the lowest heated rail is at least 600mm above the floor.

4. Install the Wall Brackets

Drill a pilot hole in the centre of each of the four marked mounting positions and insert the wall plugs provided. Now fix the three wall brackets in place using the countersunk screws and a cross head screwdriver. In the fourth position attach the exposed wiring mounting bracket using a countersunk screw.

5. Connect Power Lead & Wall Bracket

Slide the exposed wiring leg over the lead ensuring the cut away section is facing towards the 3 pin plug. Connect the lead to the rail at your chosen position by unscrewing the screw cap (See Diagram 3a.), pulling out the cap, lifting from the red ring (See Diagram 3b.) inserting the lead into the connection point ensuring that the pins match up correctly using the arrows marked, (See Diagram 3c.) and then tighten the screw cap (See Diagram 3d.). Slide the exposed wiring leg down towards the Thermorail (See Diagram 3e.) and fix in place using the small machine screws and a cross head screw driver (See Diagram 3f.).



Ensure your connection is pushed in fully and screw cap is screwed on tightly with the arrows matching up.

7. Fix Thermorail to the Wall

Fit the Thermorail to the mounting brackets installed on the wall. You may need assistance to hold the rail in place. For the three non-wired mounts, tighten using the grub screws and the allen key provided. In the wired position, secure using a small machine screw and a cross head screw driver.

Ensure you have 240Volt power at the power point (GPO) to which the Thermorail is being plugged into.

Technical Specifications

Technical Specifications						
STOCK CODE	NO. OF BARS	SIZE WxHxD (mm)	FINISH	OUTPUT (W)	WARRANTY	IP RATING
SR25M	4	550 x 550 x 122	Polished Stainless Steel	41	10 Years	IP55
SR17M	8	400 x 1120 x 122	Polished Stainless Steel	65	10 Years	IP55
SR23M	8	530 x 700 x 122	Polished Stainless Steel	76	10 Years	IP55
SR44M	7	600 x 800 x 122	Polished Stainless Steel	80	10 Years	IP55
SR27M	8	530 x 1120 x 122	Polished Stainless Steel	80	10 Years	IP55
SR33M	8	750 x 700 x 122	Polished Stainless Steel	104	10 Years	IP55
SR69M	10	700 x 1200 x 122	Polished Stainless Steel	128	10 Years	IP55
SR93M	7	900 x 750 x 122	Polished Stainless Steel	100	10 Years	IP55
SR99M	14	1000 x 1500 x 122	Polished Stainless Steel	244	10 Years	IP55
CR40M	4	600 x 420 x 150	Polished Stainless Steel	45	10 Years	IP55
CR23M	8	530 x 700 x 150	Polished Stainless Steel	78	10 Years	IP55
CR44M	7	600 x 800 x 150	Polished Stainless Steel	80	10 Years	IP55
CR27M	8	530 x 1120 x 150	Polished Stainless Steel	82	10 Years	IP55
CR69M	12	700 x 1400 x 150	Polished Stainless Steel	153	10 Years	IP55
SS19M	10	450 x 1200 x 120	Polished Stainless Steel	89	10 Years	IP55
SS40M	4	600 x 420 x 120	Polished Stainless Steel	47	10 Years	IP55
SS44M	7	600 x 800 x 120	Polished Stainless Steel	83	10 Years	IP55
SS81M	4	800 x 440 x 120	Polished Stainless Steel	61	10 Years	IP55
SS88M	10	800 x 1160 x 120	Polished Stainless Steel	153	10 Years	IP55
BS24M	3	550 x 450 x 122	Polished Stainless Steel	33	7 Years	IP55
BC44M	7	600 x 800 x 150	Polished Stainless Steel	80	7 Years	IP55
BS44M	7	600 x 800 x 122	Polished Stainless Steel	80	7 Years	IP55
BS46M	9	600 x 1080 x 122	Polished Stainless Steel	103	7 Years	IP55
BS28M	6	500 x 800 x 120	Polished Stainless Steel	81	7 Years	IP55
SR25MB	4	550 x 550 x 122	Matt Black	54	7 Years	IP55
SR33MB	8	750 x 700 x 122	Matt Black	132	7 Years	IP55
SR44MB	7	600 x 800 x 122	Matt Black	100	7 Years	IP55
SR19MB	10	450 x 1200 x 122	Matt Black	110	7 Years	IP55
SR69MB	10	700 x 1200 x 122	Matt Black	162	7 Years	IP55
BS48MB	6	600 x 800 x 120	Matt Black	104	7 Years	IP55
SS88MB	10	800 x 1160 x 120	Matt Black	217	7 Years	IP55
SRB25M	4	550 x 550 x 122	Brushed Stainless Steel	41	7 Years	IP55
SRB33M	8	750 x 700 x 122	Brushed Stainless Steel	104	7 Years	IP55
SRB44M	7	600 x 800 x 122	Brushed Stainless Steel	80	7 Years	IP55
SSB44M	7	600 x 800 x 120	Brushed Stainless Steel	83	7 Years	IP55
SRB27M	8	530 x 1120 x 122	Brushed Stainless Steel	80	7 Years	IP55
SRB69M	10	700 x 1200 x 122	Brushed Stainless Steel	128	7 Years	IP55
SR25MBG	4	550 x 550 x 122	Brushed Gold	41	7 Years	IP55
SR44MBG	7	600 x 800 x 122	Brushed Gold	80	7 Years	IP55
SR25MBN	4	550 x 550 x 122	Brushed Nickel	41	7 Years	IP55
SR44MBN	7	600 x 800 x 122	Brushed Nickel	80	7 Years	IP55
SR25MBB	4	550 x 550 x 122	Brushed Brass	41	7 Years	IP55
SR44MBB	7	600 x 800 x 122	Brushed Brass	80	7 Years	IP55
SR25MGM	4	550 x 550 x 122	Gun Metal	41	7 Years	IP55
SR44MGM	7	600 x 800 x 122	Gun Metal	80	7 Years	IP55
BS44MW	7	600 x 800 x 122	Satin White	80	7 Years	IP55
SR44MRG	7	600 x 800 x 122	Rose Gold	80	7 Years	IP55
Supply Voltage			240V 50Hz			
Wiring Side			Left or Right			
Wiring Method			Hardwired or Plug in			

Safety Information

Thermorail Heated Towel Rails should be installed and tested by a qualified electrician and in accordance with current local regulations. We recommend that the rail is installed onto a flat, uniform wall at least 600mm from the floor and with a 300mm clearance from permanent fixtures. Where possible, the Thermorail Heated Towel Rail should be screwed into studs or if fixing to hollow walls, suitable anchors should be used to ensure rail is secure.

WARNING: In order to avoid a hazard for very young children, this appliance should be installed so that the lowest heated rail is at least 600mm above the floor.

Please read and understand this installation guide in full before commencing installation.

If you have any queries in regards to installation, please call 1300 368 631.

- Observe and adhere to electrical guidelines and IP ratings when placing your Thermorail in wet areas
- Ensure any timers or switches used are installed in correct zones according to the IP rating of the timer/switch
- Ensure that your Thermorail is protected by a suitably rated RCD circuit
- Do not use the towel rail to hold towels or other articles that have been in contact with oil, petroleum based products or dry cleaning fluids
- This appliance is intended to warm and dry towels and therefore is hot to touch. When near young children or infirm persons, close supervision is necessary
- Do not immerse your Thermorail in any liquid
- This appliance is not intended for use by persons (including children) with reduced physical, sensory or mental capabilities, or lack of experience and knowledge, unless they have been given supervision or instruction concerning use of the appliance by a person responsible for their safety
- If the supply cord is damaged, it must be replaced by the manufacturer, its service agent or similarly qualified persons in order to avoid a hazard
- Children should be supervised to ensure they do not play with the appliance

Care Information

The finish of your Thermorail Heated Towel Rail is hard wearing and easy to maintain however, any harsh scrubbing, scratching or acid based cleaning products will damage the surface of your towel rail. Cleaning with a soft cloth and a non-abrasive cleaning agent will give the best results.

Operating Instructions & Warranty Information

Operating Instructions

All the Heated Towel Rails in this installation guide are dry element electric Heated Towel Rails. Electric Heated Towel Rails are designed to run on a low wattage and will heat up quickly with warmth being felt within 5-10 minutes. The towel rail will reach optimum operating temperature in approx. 30 minutes. Running temperature of the Electric Heated Towel Rail is 35°C without a towel on the rail. Once a towel has been placed on the towel rail this will insulate it and beneath the towel it will get to 50-55°C. Although the towel rail will reach optimum operating temperature in approx. 30 minutes, it will take approx. 3-4 hours to dry the towel. Please note this will vary depending on a number of factors including the ambient room temperature, size of the towel rail, number of towels and the dampness level of the towels. Electric Heated Towel Rails are designed to dry and gently warm a towel and are not designed as a towel heater or room heater.

Warranty Information

Thermogroup covers all its products with a satisfaction guarantee. In addition, Thermogroup, will supply a replacement product where a fault is shown to be caused by manufacture, materials or workmanship providing the goods have been installed correctly and according to installation instructions. This guarantee does not include removal, freight or installation costs. Our goods come with guarantees that cannot be excluded under Australian Consumer Law. You are entitled to a replacement or refund for a major failure and compensation for any other reasonably foreseeable loss or damage. You are also entitled to have the goods repaired or replaced if the goods fail to be of acceptable quality and the failure does not amount to a major failure.

To use the warranty, repair or service the customer must provide purchase invoice/receipt and completed warranty form.

If the product develops a fault within the warranty period due to normal wear and tear, Thermogroup at its discretion, will recognise whether it's a faulty product or not. If it is impossible or not economical for the manufacturer to repair the product, the manufacturer will replace the faulty product with a new unit of the same model or if there is no stock available of the same model as the product, the manufacturer will replace the product with a new unit of a similar size. No responsibility can be taken for altered dimensions and lining up of existing holes.

The repair service offered within the warranty period only covers the faults and problems as developed from the manufacturer's errors. Any damage caused by improper use, carelessness or incorrect wiring is not covered.

Thermogroup is not responsible for any monetary loss or injuries caused by improper use of this product.

Warranty Registration

The Thermorail Heated Towel Rail warranty against manufactures defects is a limited liability warranty and will only apply if the product is registered online. Online registration must be completed within 60 days of installation. Failure to complete this form will void the warranty.

	STOCK CODE	WIRING METHOD	TIMER STOCK CODE (If Applicable)	DATE OF PURCHASE
<i>example</i>	<i>SR44M</i>	<i>Hardwired</i>	<i>TRTS</i>	<i>December 01, 2022</i>
1				
2				
3				
4				
5				
6				
7				
8				
9				
10				

Fill out and sign below to declare that all the information recorded on this form correlates to the installation

Installer

Name: _____

Email: _____

Address: _____

Postcode: _____

Phone: _____

Signature: _____

Customer

Name: _____

Email: _____

Address: _____

Postcode: _____

Phone: _____

Signature: _____



Contact Us

Phone: 1300 368 631 | Technical Helpline: 1300 989 464
sales@thermogroup.com.au | www.thermogroup.com.au