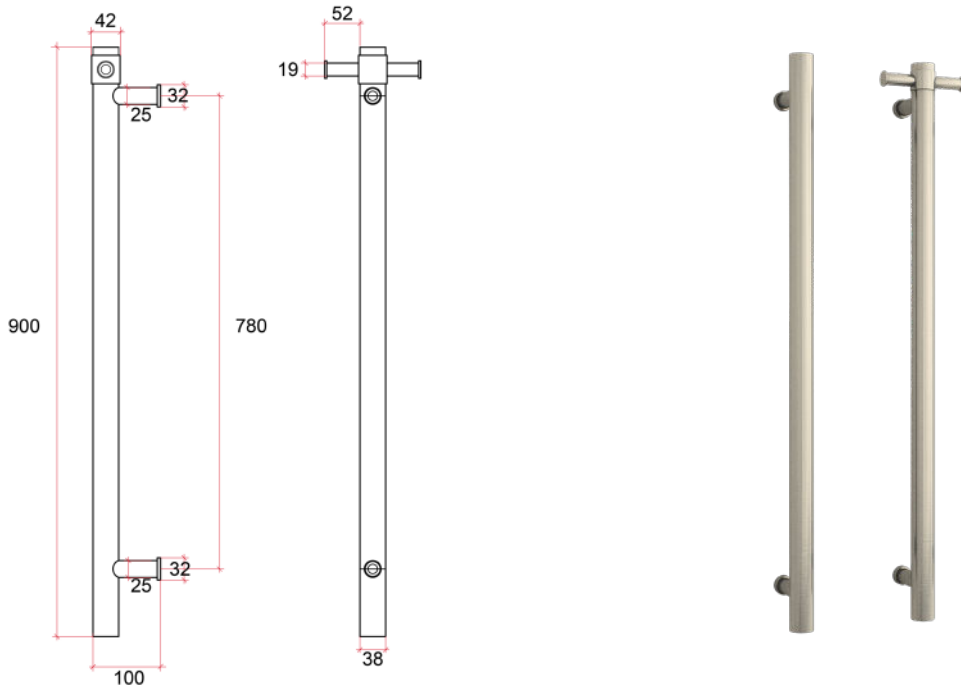


Thermorail 12V Vertical Towel Rail

Electric Heated Towel Rails for use in bathrooms



Note: All dimensions are in millimeters (mm)

Rails are sold individually. Hooks are removable.

Stock Code	Finish	Size (mm)	Output (W)	No. of Bars
VS900HBN	Brushed Nickel	W142 x H900 x D100	24	1



Seven year warranty



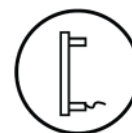
Safe for use in bathrooms



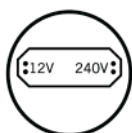
Quality stainless steel



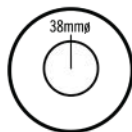
Safe for use in wet areas



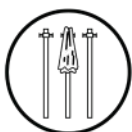
Concealed wiring only



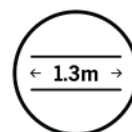
Transformer included
(12 month warranty)



Vertical bar size



One towel per bar recommended



1.3m lead on rail



Optional removable hook

PLEASE NOTE: Specifications are for information purposes only. Whilst every effort has been made to ensure the product specifications are accurate, due to continuing product development and improvement the specifications are subject to change. Specifications can be used to rough in and fit timber supports in the wall however we recommend no holes are drilled without having the product on site or verifying the details with the manufacturer. Thermogroup cannot be held liable or responsible for errors due to updated specifications.