

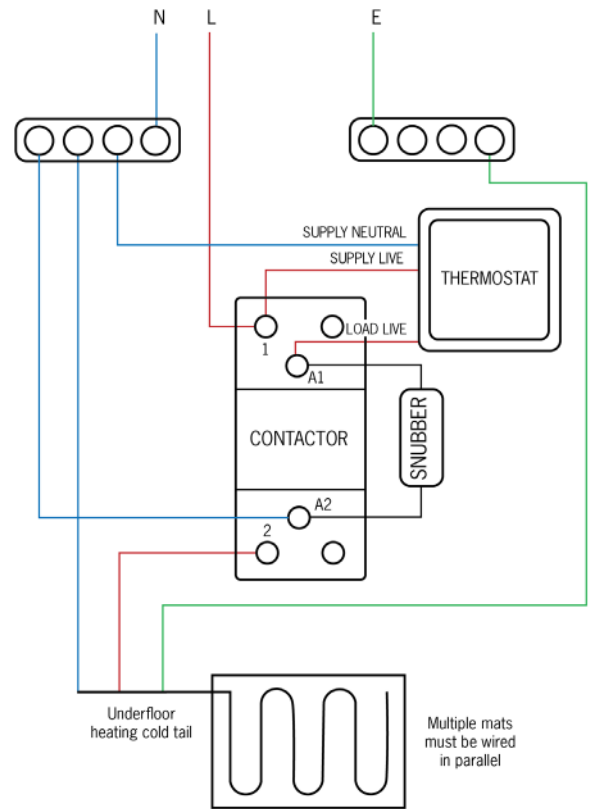
Electrical Contactor with Snubber

Used to switch loads greater than 16amps



Thermogroup thermostats are designed to handle a total load of up to 16Amps. If your system exceeds this total load you will need a suitably rated contactor/snubber to ensure a safe and functional electrical circuit.

The snubber must be connected to the circuit as shown in the diagram, to absorb any electrical surges that could disrupt the memory of the thermostat.



Stock Code	Amps	Wattage
5279	25	5700
5280	40	9000
5286	63	14440

