

Thermorail Towel Rail

12Volt Ladder Heated Towel Rail

Installation Guide

Please read these instructions carefully and in full before installation.

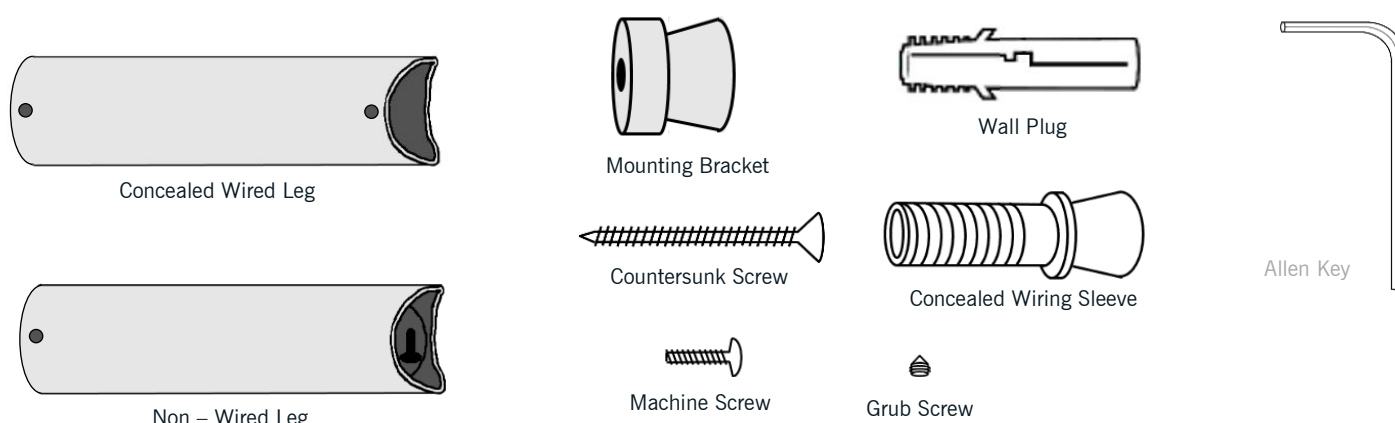
Installation should be carried out by a qualified electrician.

WARNING: This is a 12Volt heated towel rail and MUST be wired to a transformer (supplied). Connecting directly to the mains power supply will cause irreparable damage to the element and the element cannot be replaced.

What's in the box? _____	3
Concealed Wiring Installation _____	4
Technical Specifications _____	7
Safety & Care Information _____	8
Warranty Information _____	9
Warranty Registration _____	10
Contact Us _____	12

Check you've got everything:

- Thermorail Ladder Rail
- 35-105Watt 12Volt Transformer
- Leg Kit including:
 - 2 x Non-Wired Legs
 - 2 x Wired Legs
 - 1 x Concealed Wiring Sleeve (Supplied inside the leg)
 - 3 x Mounting Brackets (Supplied inside the leg)
 - 3 x Wall Plugs
 - 3 x Countersunk Screws
 - 2 x Machine Screws
 - 8 x Grub Screws (Supplied inside the leg)
 - 1 x Allen Key

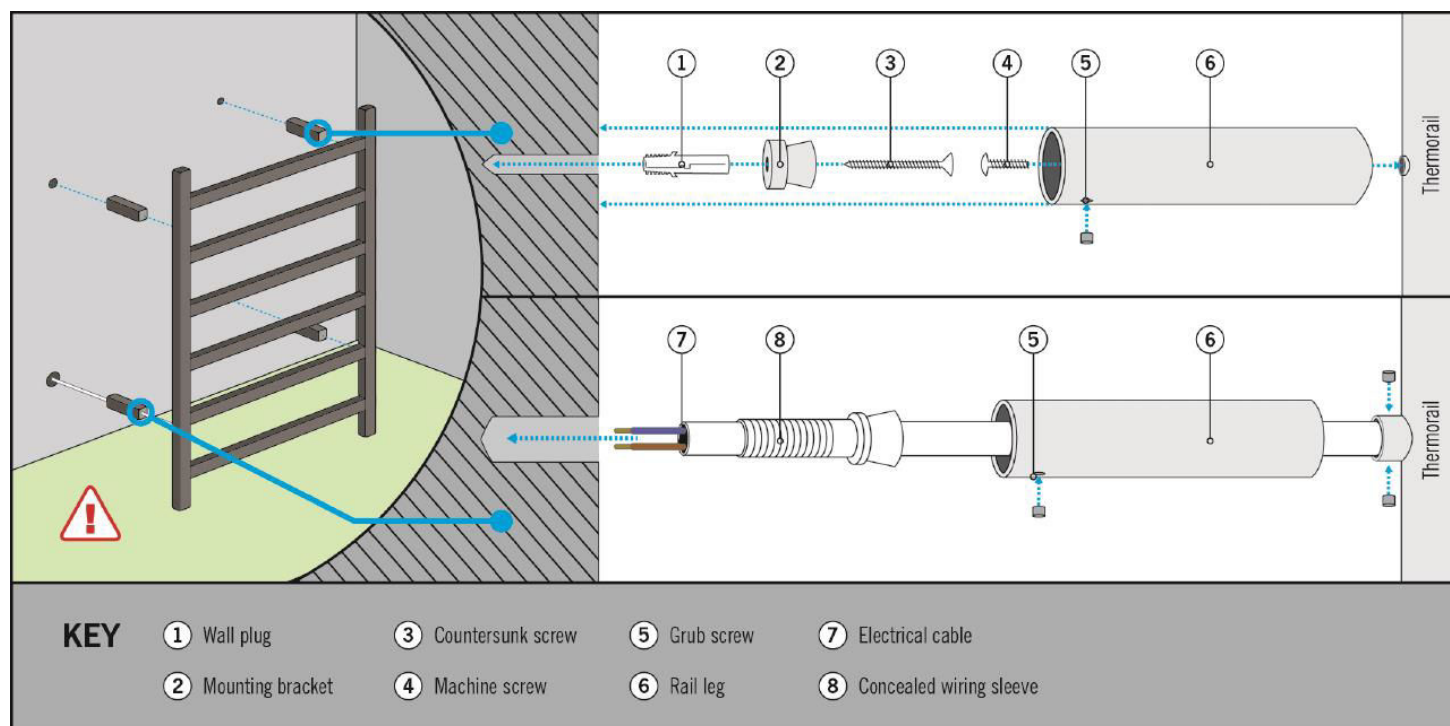


Please note these parts are not to scale

You will also need:

- Cross Head Screwdriver
- Pencil
- Spirit Level
- Tape Measure
- Drill Bits (6mm x 15mm)
- Cordless Drill
- Electrical Supply

Concealed Wiring Installation



WARNING: This is a 12Volt heated towel rail and **MUST** be wired to a transformer (supplied). Connecting directly to the mains power supply will cause irreparable damage to the element and the element cannot be replaced.

The 12Volt Thermorail models in this guide can only be hardwired. The rail has an electrical cable connection on the left and right and can be mounted either way up allowing connection at anyone of the four fixing points. Only one of the electrical cables is to be wired up, the additional cable should be cut short and terminated.

1. Switch off the mains power

You will be installing the Thermorail as part of a high voltage mains electrical circuit. To ensure your safety and to protect the Thermorail, switch off the mains power before you start the installation. Please ensure that means for disconnection are incorporated in the fixed wiring in accordance with the wiring rules.

2. Install the transformer

The transformer is to be installed in the ceiling or the wall cavity no further than 2m from the rails and needs to be connected to the mains power supply in accordance with current local building regulations. If mounting in the wall cavity the transformer must be behind an access plate or a timer/switch to enable access and the transformer must have adequate ventilation. Test that there is 240Volt power coming into the transformer.

3. Fix the Legs to the Thermorail

First decide which side you want to connect the electrical supply to and allocate the concealed wiring sleeve to this position. The electrical cable on the side that you are not using can be cut short and terminated as only one electrical connection is required. Allocate the appropriate legs to each of the remaining mounting points.

Remove the mounting brackets from inside the rail legs by releasing the grub screws, with the Allen key provided. Attach the two non-wired legs to the rail using the machine screws and a crosshead screwdriver. Slide the third and fourth legs over the cable and secure these to the rail using the grub screws provided.

4. Plan and Measure Your Installation

Measure and mark out the four wall bracket positions making sure they are level. The easiest way to mark this is to put some masking tape or similar at the location of the four mounting positions and then hold the rail against the wall and once it is straight and level mark the four leg footprints on to the tape.

5. Install the Wall Brackets

Drill a 6mm hole in the centre of each of the three marked non-wiring mounting positions and insert the wall plugs provided. Now fix the three wall brackets in place using the countersunk screws and a cross head screwdriver. In the fourth (wiring) position, drill a larger hole (15mm) for the concealed wiring sleeve.

6. Connect to the Transformer & Mains Power

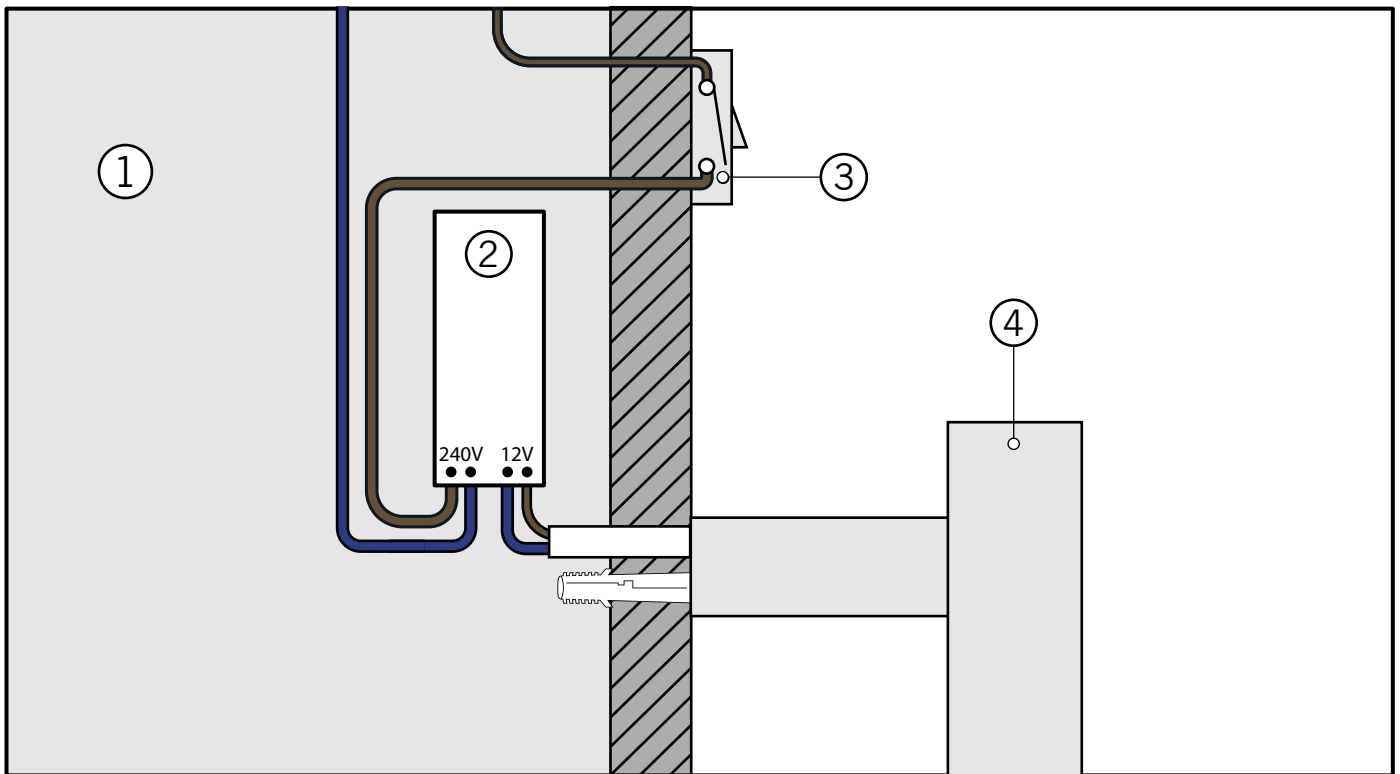
Ensure the mains power supply is switched off before attempting to carry out any electrical work. Slide the concealed wiring leg over the exposed end of the electrical cord and insert into the hole in the wall. Connect to the transformer previously installed.

(See diagram on the next page).

7. Fix the Thermorail to the Wall

Fit the Thermorail to the mounting brackets installed on the wall. You may need assistance to hold the rail in place. Tighten using the grub screws and the allen key provided.

Transformer Wiring Diagram



Key

1. Wall Cavity
2. Transformer
3. Switch/Timer
4. Thermorail

Technical Specifications

STOCK CODE	NO. OF BARS	SIZE (MM)	OUTPUT (W)	IP RATING	WARRANTY
SR2512	4	W550 x H550 x D122	65	IP55	10
SRB2512	4	W550 x H550 x D122	65	IP55	7
SR2512B	4	W550 x H550 x D122	70	IP55	7
SR4412	7	W600 x H800 x D122	90	IP55	10
SR4412B	7	W600 x H800 x D122	100	IP55	7
SRB4412	7	W600 x H800 x D122	90	IP55	7
SS4412	7	W600 x H800 x D120	90	IP55	10

Supply Voltage	240V 50Hz
Transformer Voltage	12V
Wiring Side	Left or Right
Wiring Method	Hardwired
Warranty on Transformer	1 Year

Safety Information

Thermorail Heated Towel Rails should be installed and tested by a qualified electrician and in accordance with current local regulations. We recommend that the rail is installed onto a flat uniform wall at least 600mm from the floor, with a 300mm clearance from permanent fixtures. Where possible the Thermorail Heated Towel Rail should be screwed into studs or if fixing to hollow walls suitable anchors should be used to ensure the rail is secure.

Please read and understand this installation guide in full before commencing installation. If you have any queries in regards to installation, please call 1300 368 631.

- Observe and adhere to electrical guidelines when placing your Thermorail in wet areas
- Ensure any timers or switches used are installed in correct zones according to the IP rating of the timer/switch
- Ensure that your Thermorail is protected by a suitably rated RCD circuit
- Do not use the towel rail to hold towels or other articles that have been in contact with oil, petroleum based products or dry cleaning fluids
- This appliance is intended to warm and dry towels and therefore is hot to touch. When near young children or infirm persons, close supervision is necessary
- Do not immerse your Thermorail in any liquid
- Ensure the transformer is located no further than 2m from the Thermorail(s)
- Ensure the transformer is accessible and has adequate ventilation
- Ensure that multiple rails connected to individual transformers are wired in parallel to the switch/timer.
- This appliance is not intended for use by persons (including children) with reduced physical, sensory or mental capabilities, or lack of experience and knowledge, unless they have been given supervision or instruction concerning use of the appliance by a person responsible for their safety.
- Children should be supervised to ensure that they do not play with the appliance.

WARNING: In order to avoid a hazard for very young children, this appliance should be installed so that the base of the rail is at least 600mm above the floor.

Care Information

The finish of your Thermorail Heated Towel Rail is hard wearing and easy to maintain. However any harsh scrubbing, scratching or acid based cleaning products will damage the surface of your towel rail. Cleaning with a soft cloth and a non-abrasive cleaning agent will give the best results.

Warranty Information

Thermogroup covers all its products with a satisfaction guarantee. In addition, Thermogroup will supply a replacement product where a fault is shown to be caused by manufacture, materials or workmanship providing the goods have been installed correctly and according to installation instructions. This guarantee does not include removal, freight or installation costs. Thermogroup's products come with guarantees that cannot be excluded under Australian Consumer Law and you are entitled to a replacement or refund for a major failure & compensation for any other reasonable foreseeable loss or damage. You are also entitled to have the goods repaired or replaced if the goods fail to be of acceptable quality and the failure does not amount to a major failure.

The details on the length of the warranty on the Thermorail 12Volt ladder are on page 7 of this instruction guide. To use the warranty, repair or service the customer must provide purchase invoice/receipt and completed warranty registration form.

If the product develops a fault within the warranty period due to normal wear and tear, Thermogroup at its discretion will recognise whether it's a faulty product or not. If it is impossible or not economical for the manufacturer to repair the product, the manufacturer will replace the faulty product with a new unit of the same model or if there is no stock available of the same model as the product, the manufacturer will replace the product with a new unit of a similar size. No responsibility can be taken for altered dimensions and lining up of existing holes.

The repair service offered within the warranty period only covers the faults and problems as developed from the manufacturer's errors. Any damage caused by improper use or carelessness or incorrect wiring is not covered.

Thermogroup is not responsible for any monetary loss or injuries caused by improper use of this product.

Warranty Registration

The Thermorail Heated Towel Rail warranty against manufactures defects is a limited liability warranty and will only apply if the product is registered online. Online registration must be completed within 60days of installation. Failure to complete this form will void the warranty.

THERMORAIL STOCK NO.	ISOLATING SWITCH/TIMER INSTALLED	TIMER STOCK NO. <small>(If applicable)</small>	DATE OF PURCHASE
0 SR4412 (Example)	Timer / Isolating Switch / None	TRTS	1st Dec 2022
1	Timer / Isolating Switch / None		
2	Timer / Isolating Switch / None		
3	Timer / Isolating Switch / None		
4	Timer / Isolating Switch / None		
5	Timer / Isolating Switch / None		
6	Timer / Isolating Switch / None		
7	Timer / Isolating Switch / None		
8	Timer / Isolating Switch / None		
9	Timer / Isolating Switch / None		
10	Timer / Isolating Switch / None		

Fill out and sign below to declare that all the information recorded on this form correlates to the installation

Installer

Name: _____

Email: _____

Address: _____

Postcode: _____

Phone: _____

Signature: _____

Customer

Name: _____

Email: _____

Address: _____

Postcode: _____

Phone: _____

Signature: _____



Thermogroup

sales@thermogroup.com.au

Phone: 1300 368 631

Technical Helpline: 1300 989 464

www.thermogroup.com.au