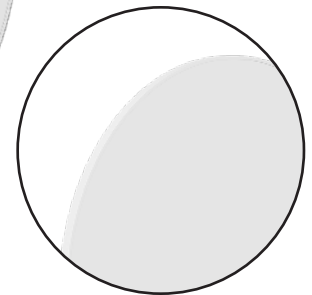
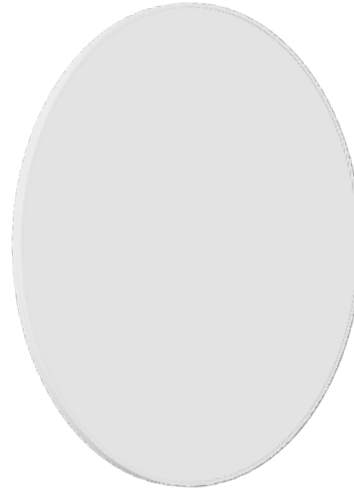
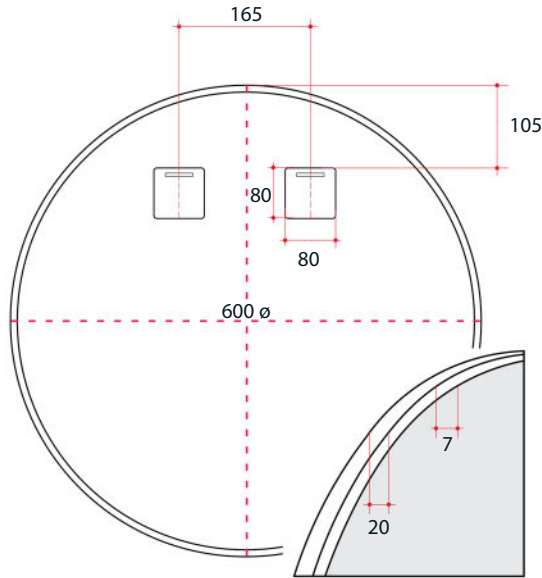


**Ablaze Georgia Round Framed Mirror**  
 Aluminum Round White Framed Mirror with Demister

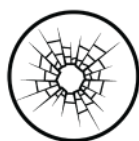


Note: All dimensions are in millimetres (mm)

Stock Code	Mirror Size (mm)	Shape	Output (w)	Finish
GR6060WD	600 $\varnothing$ x 20	Round	24	White



**Two years warranty**



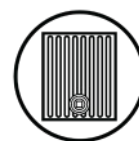
**Safety backing film**



**Copper-free mirror**



**Hanger fixing method**



**Demister included**



**Made in Europe**

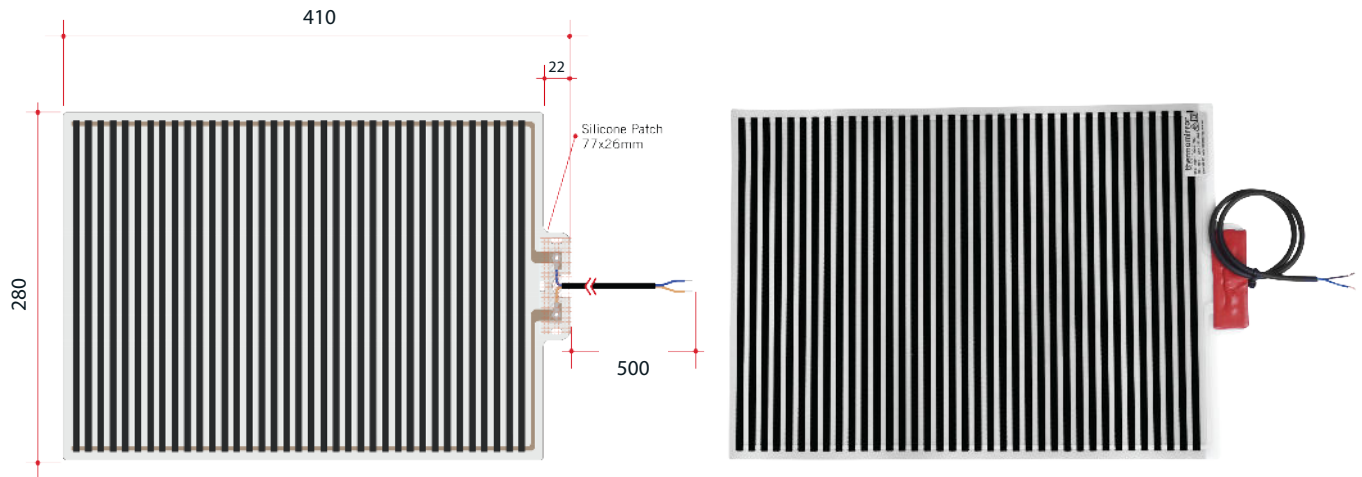
**PLEASE NOTE:** This product includes a mirror and Thermomirror demister. These are supplied as separate parts and the demister will need to be adhered to the back of the mirror prior to installation of the mirror. For details on the demister, please see next page.

Mirrors will need to be installed in accordance with the Installation Guide. Ablaze does not take responsibility for incorrect installation of these mirrors. Specifications are for information purposes only. Whilst every effort has been made to ensure the product specifications are accurate, due to continuing product development and improvement, the specifications are subject to change. Specifications can be used to rough in and for timber supports in the wall however, we recommend no holes are drilled without having the product on site or verifying the details with the manufacturer. Thermogroup cannot be held liable or responsible for errors due to updated specifications.



1300 368 631  
 sales@thermogroup.com.au  
 www.thermogroup.com.au

**Thermomirror Mirror Demister**  
Ultra-thin Demister Pad for use on Bathroom Mirrors



Note: All dimensions are in millimetres (mm)

Stock Code	Size (mm)	Heat Output (W)	Voltage - Frequency
TM2841	280 x 410	24	220 - 240V 50Hz



Ten year warranty



Hardwiring only



Safe for use in bathrooms



Heating pad thickness



Connection thickness



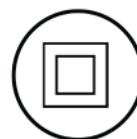
Max temperature



Fully self-adhesive



Wiring lead



Double insulated



Made in Europe

Thermomirror demisters must be installed by a qualified electrician.  
The demister cannot be cut, pierced or modified in anyway.